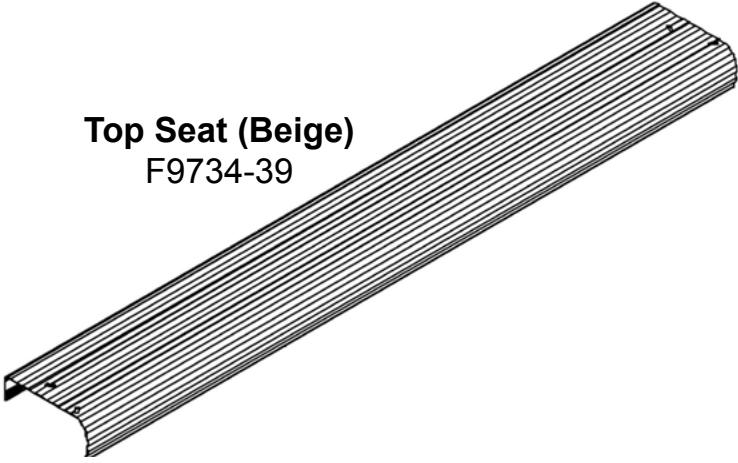


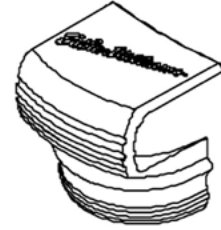
Parts Breakdown for the Esther Williams Classic, Summit & Coliseum

Click the image and get redirected to that part.

Top Seat (Beige)
F9734-39



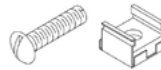
Rear Coping Cover (Beige)
T3773-37



Front Coping Cover (Beige)
T3600-37

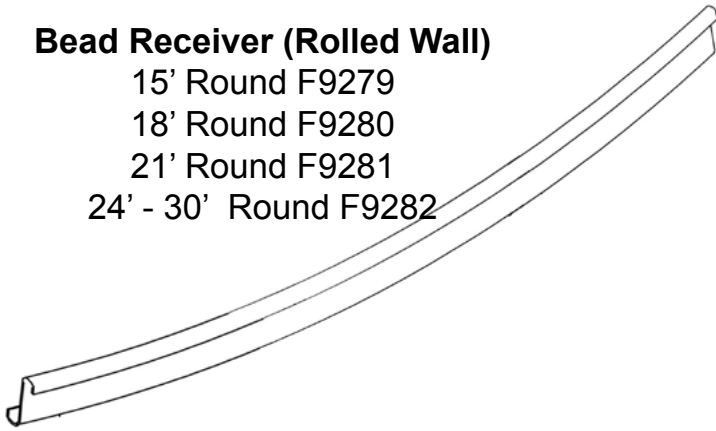


Captive Nut Kit



Bead Receiver (Rolled Wall)

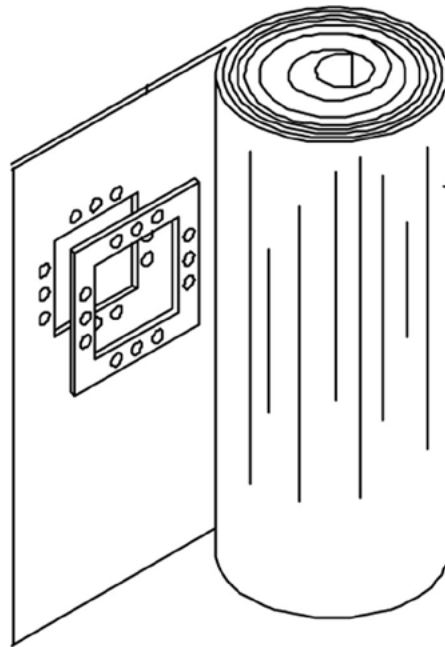
15' Round F9279
18' Round F9280
21' Round F9281
24' - 30' Round F9282



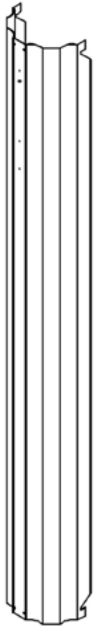
Rolled Wall

email

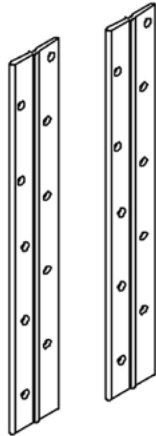
Parts@teddybearpools.com



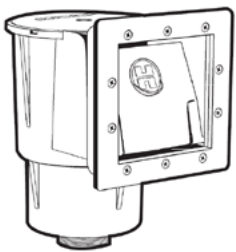
Upright (Beige) 52"
F9741-39



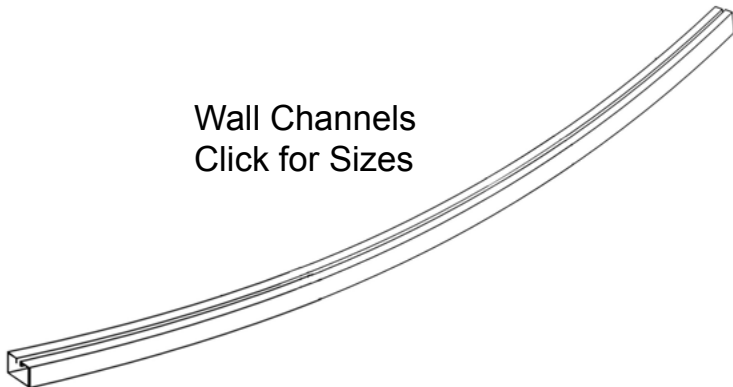
Wall Strap
F8559-00-02



Hayward Skimmer Kit
SP1091LX



Wall Channels
Click for Sizes



Bottom/Top Plate
F7552-00 2 pack

