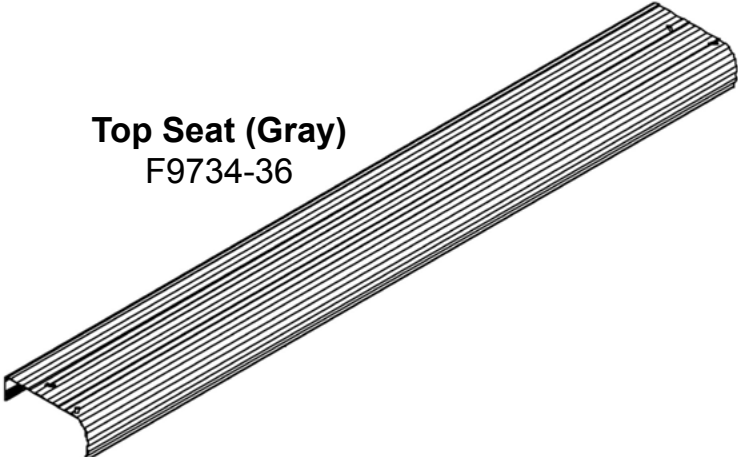


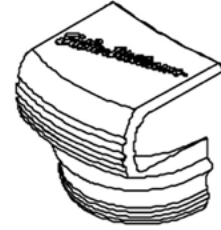
# Parts Breakdown for the Esther Williams Classic, Summit & Coliseum (GRAY)

Click the image and get redicted to that part.

**Top Seat (Gray)**  
F9734-36



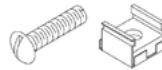
**Rear Coping Cover (Gray)**  
T3773-33



**Front Coping Cover (Gray)**  
T3600-33

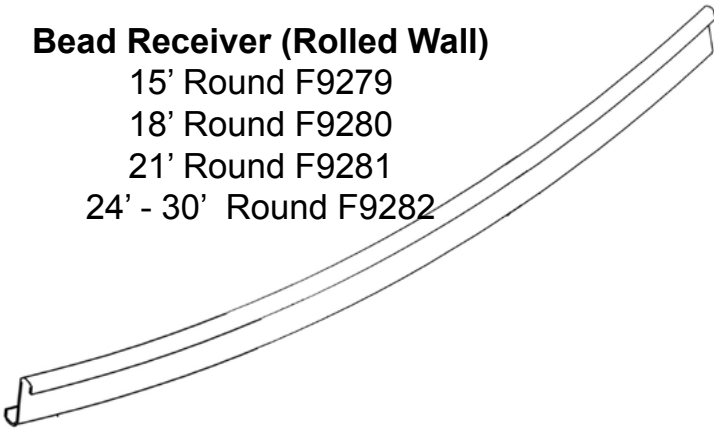


**Captive Nut Kit**



**Bead Receiver (Rolled Wall)**

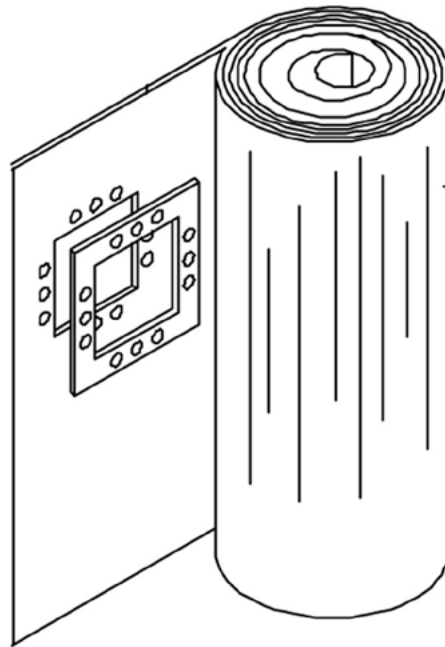
15' Round F9279  
18' Round F9280  
21' Round F9281  
24' - 30' Round F9282



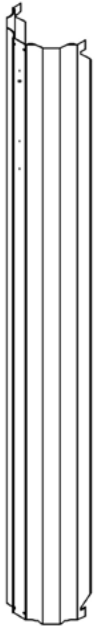
**Rolled Wall**

email

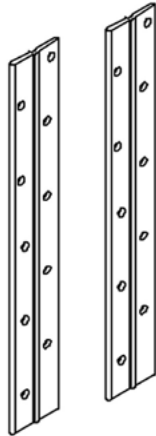
[Parts@teddybearpools.com](mailto:Parts@teddybearpools.com)



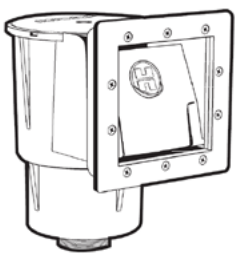
**Upright (Gray) 52"**  
F9741-36



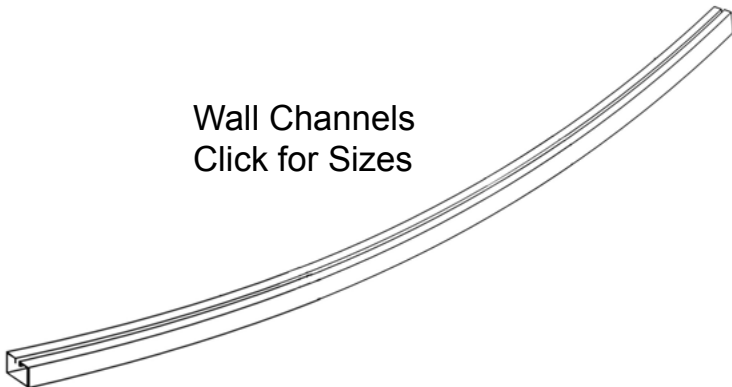
**Wall Strap**  
F8559-00-02



**Hayward Skimmer Kit**  
SP1091LX



**Wall Channels**  
Click for Sizes



**Bottom/Top Plate**  
F7552-00 2 pack

