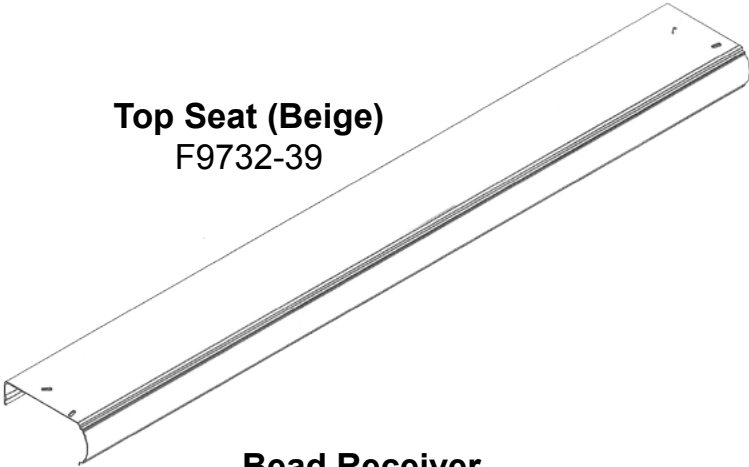


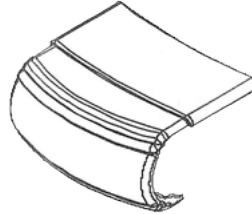
Parts Breakdown for the Johnny Weissmuller Titan Slat Wall Pool.

Click the image and get redirected to that part.

Top Seat (Beige)
F9732-39



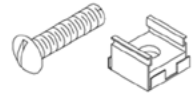
Rear Coping Cover (Beige)
T3602-37



Front Coping Cover (Beige)
T3600-37



Captive Nut Kit

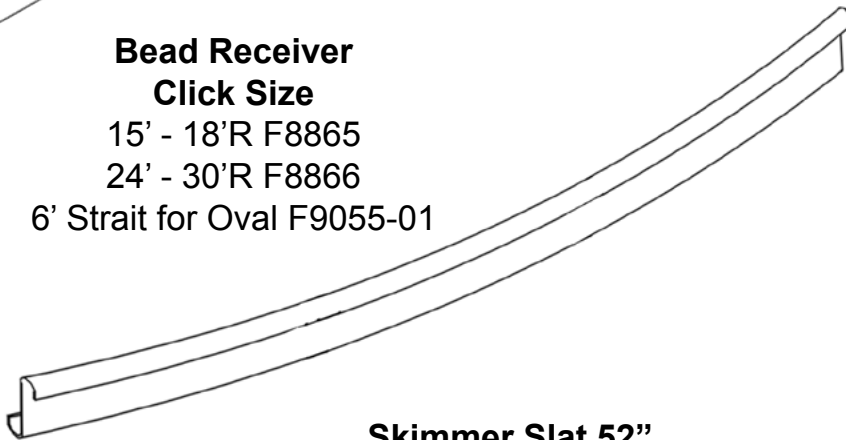


Bead Receiver
Click Size

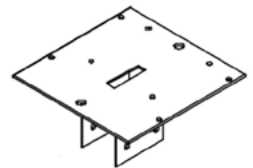
15' - 18'R F8865

24' - 30'R F8866

6' Strait for Oval F9055-01



Top Clip F9709



Upright Slat 52"
F9731-37



Return Slat 52"
F7898-86



Skimmer Slat 52"
F7897-86



Slat 52"
F9257-86



Bottom Clip
F6587-00



Wall Angle

15' - 18' Round F6589-01

24' - 30' Round F6591-05

12' Round F6660-04

12' Oval 1st off strait side F6661

15' - 18' Oval 1st off strait side F6612-01

